



PULSE 3

INNOVATION: THE PENDULUM SYSTEM!

Easy handle, safe and simple to drive, **PULSE 3** is a 3-wheel electric vehicle equipped with a **pendulum system** allowing the driving position to tilt by +/- 30° when turning, which ensures perfect stability when driving or at a standstill. **As the rear part stays stable around bends,**

this micro-utility vehicle can safely carry up to 55 kg of goods in addition to 20 kg at the front. Thanks to its unfailing sturdiness and its **compact size** (2.09 X 0.83 m), it offers a **wide range of uses**: carrying, technical maintenance, health professionals, home deliveries, etc.



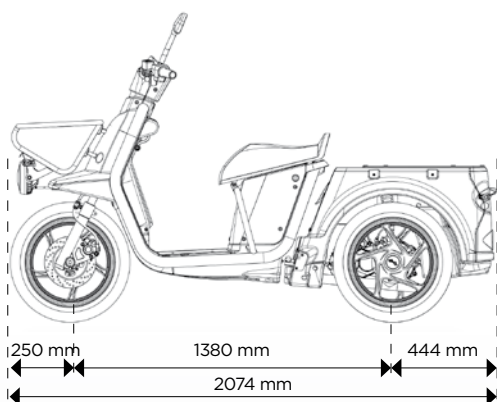
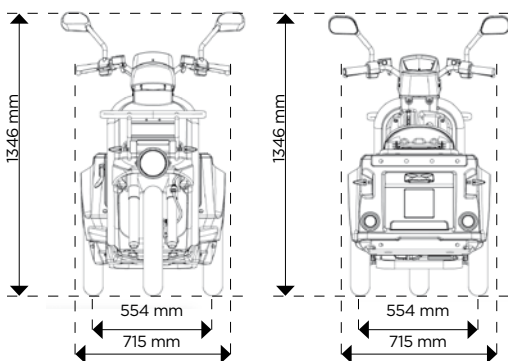
LIGIER
PROFESSIONAL

ligier-professional.fr



+ PULSE 3

TECHNICAL CHARACTERISTICS



BATTERIES

Type of battery	Lithium LiFe PO4
Unit weight in kg	43 kg
Voltage (in V)	38
ON-board power	3.8Kw
BMS built into the battery	yes
Heating system driven by the BMS	yes

SPEED AND AUTONOMY

Maximum speed when empty	45 km/h
Autonomy in an urban cycle (10 stops/km)	30 km
Autonomy in a rural cycle	50 km

BATTERY CHARGING

On-board charger	yes
Battery monitoring	yes
Mains supply	230V-16A
Charging time	< 8 hours
Charging power	650W
Tyres + metal rims	90/90 R14

ENGINE AND TRANSMISSION

Type of engine	AC engine
Power rating	3 kW
Transmission	Reducer 1/12
Tyres + metal rims	90/90 R14

**100%
ELECTRIC**

**100%
STABLE**

**100%
ADAPTABLE**